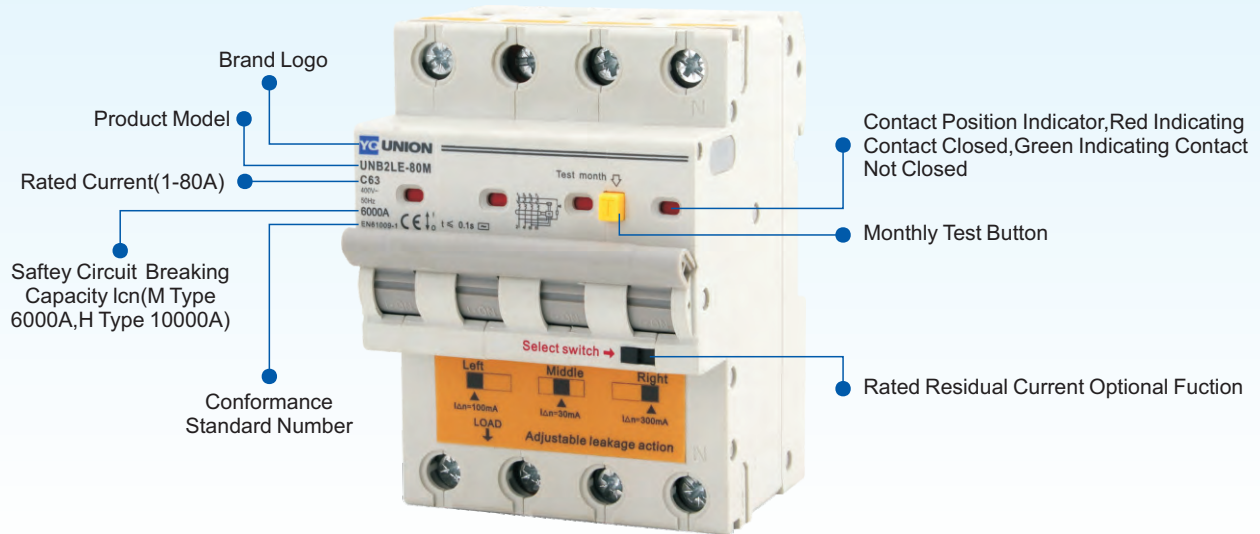


### Adjustable RCBO(UNB2LE-80M 6KA/10KA Electronic)

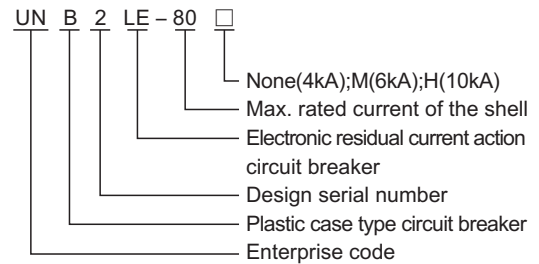


UNB2LE series leakage circuit breaker is suitable for AC 50HZ/60HZ rated voltage AC400.415V, rated current to 80A circuit, as personal shock, equipment leakage protection, and has overload, short circuit, leakage protection function, and can be customized with over-voltage protection, Leakage action current adjustable product, also can be used as the line of infrequent conversion.

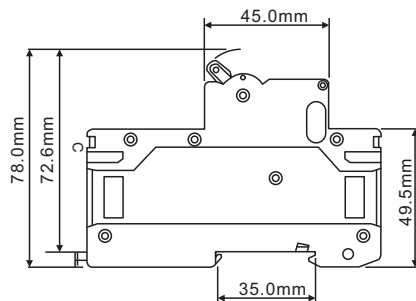
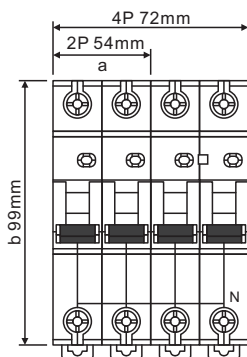
### Product advantage

- Ambient air temperature: ambient air temperature average not exceeding 35 degrees and degrees within 24H.
- Altitude: altitude of installation site not exceeding 2000m.
- Atmospheric conditions: The air relative humidity of the installation place does not exceed 50% 4 at the maximum temperature of 40 hours above 20:00 the relative humidity does not exceed 90%.
- Installation method: adopt standard guideway installation (TH35-7.5).
- Pollution class: III class
- Installation condition: installation place The external magnetic field should not exceed 5 times the geomagnetic field in any direction, Leakage circuit breaker is generally installed vertically, the handle is connected to the power supply position, and there should be no significant impact and vibration in the installation place.
- Connection mode: screw connection.

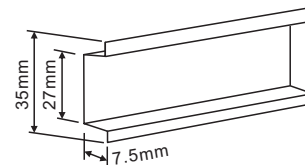
### Model meaning



### Outline dimension



### Installation



## Technical Parameters

Product model			UNB2LE-80M
Pole number			4P
Shelf rated current		A	80
Technical parameters			
Rated working voltage		Ue VAC	400
Rated current		In A	1、2、3、4、6、10、16、20、25、32、40、63、80
Rated residual current		I $\Delta$ n mA	10、15、30、50、100、200(Can select residual current)
Type class			A /AC
Rated insulation voltage			500
Rated impulse withstand voltage		Uimp kV	4
Type			M H
Breaking capacity operating		Icn kA	6/10
Breaking capacity force		Ics %Icn	100%/70%
Curve type			B、C
Release type			Thermomagnetic
Service life (O~CO)	Mechanical	Actual average	20000
		Standard value	8500
	Electrical	Actual average	10000
		Standard value	1500
Control and indication			
Auxiliary contact			
Alarm contact			
Shunt release			
Under release			
Voltage release			
Connection and installation			
Protection grade	All sides		Ip40
	Connection port		Ip20
Handle lock			ON OFF Position
Connection ability		mm <sup>2</sup>	1~35
Ambient temperature		℃	-30~+70
Humidity and heat resistance			Level 2
Altitude		m	2000
Relative humidity of air			+20 , 95% ; +40 , 50%
Pollution grade			3
Installation environment			Without significant vibration and impact
Installation category			II class
Installation mode			35mm DIN rail
Shape dimensions(mm) W*H*D	a		72
	b		99
	c		72.6
Weight		g	462.5

■ Standard settings □ Optiona /None