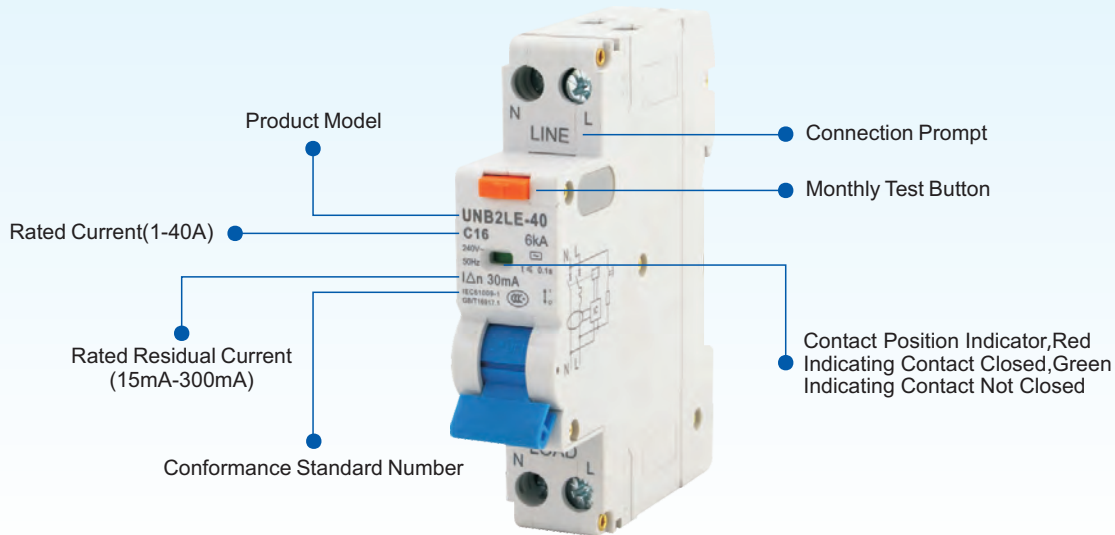


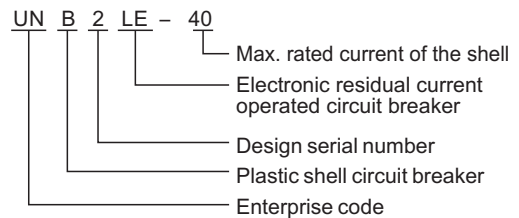
RCBO(UNB2LE-40 Electronic)



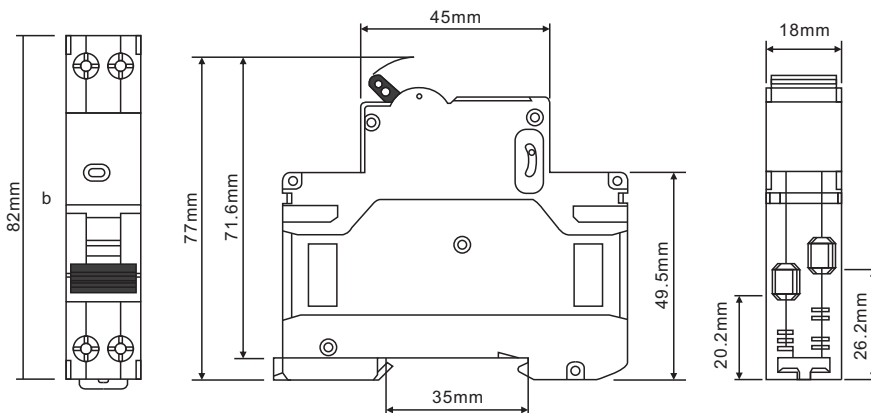
Product advantage

- High frame level 1P+N double breaking point(18mm width, module up to 40A),high breaking capacity(up to 6kA).
- Terminal with error protected terminal blocks,and higher safety with contact position indicating window.
- Current limited contact system,magnetic blow-out type arc extinguishing device,can avoid products and equipment from large short circuit current, and improve the arc extinguishing ability of products, then make sure the enhancement of breaking capacity.
- The shell and funcion keys are all made by PA66 nylon which with high flame retardant,high temperature resistance,impact resistant plastics.
- Innovative appearance,reasonable structure and with multiple patent protection. The products with overload,short circuit,leakage protection functions.

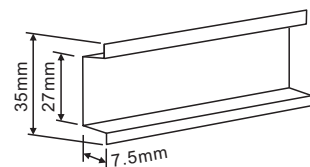
Model meaning



Outline dimension



Installation



Technical Parameters

Product model			UNB2LE-40
Pole number			1P+N
Shelf rated current	A		40
Technical parameters			
Rated working voltage	Ue	VAC	230
Rated current	In	A	1, 2, 3, 4, 6, 10, 16, 20, 25, 32, 40
Rated residual current	I Δ n	mA	15, 30, 50, 100, 200, 300
Type class			A /AC
Rated insulation voltage			500
Rated impulse withstand voltage	Uimp	kV	4
Type			/
Breaking capacity operating	Icn	kA	6
Breaking capacity force	Ics	%Icn	100%
Curve type			B, C
Release type			Thermomagnetic
Service life (O~CO)	Mechanical	Actual average	20000
		Standard value	8500
	Electrical	Actual average	10000
		Standard value	1500
Control and indication			
Auxiliary contact			
Alarm contact			
Shunt release			
Under release			
Voltage release			
Connection and installation			
Protection grade	All sides		Ip40
	Connection port		Ip20
Handle lock			ON OFF Position
Connection ability	mm ²		1 ~10
Ambient temperature	°C		-30 ~+70
Humidity and heat resistance			Level 2
Altitude	m		2000
Relative humidity of air			+20 , 95% ; +40 , 50%
Pollution grade			3
Installation environment			Without significant vibration and impact
Installation category			II class
Installation mode			35mm DIN rail
Shape dimensions(mm) W*H*D	a		18
	b		82
	c		71.6
Weight	g		118

■ Standard settings □ Optiona /None