

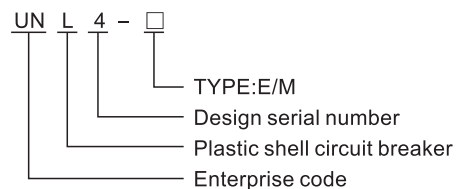
### RCCB(UNL4 Electronic/Electro-Magnetic)



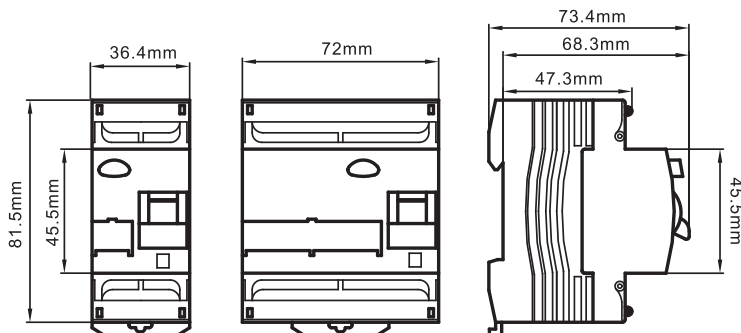
### Product advantage

- Ambient air temperature: ambient air temperature -5 degrees -40 degrees, average no more than 35 degrees within 24 hours.
- Altitude: the altitude of the installation site does not exceed 2000m.
- Atmospheric conditions: The relative humidity of the air at the installation site does not exceed 50% at a maximum temperature of 40 degrees, and the relative humidity does not exceed 90% at a minimum temperature of not more than 20%.
- Installation method: using standard Din-rail installation.
- Pollution level: Level II.
- Installation conditions: The external magnetic field of the installation site should not exceed 5 times of the geomagnetic field in any direction. The leakage circuit breaker is generally installed vertically, the handle is upwardly connected to the power supply position, and the installation site should have no significant impact and vibration.
- Wiring method: tighten the wiring with screws.

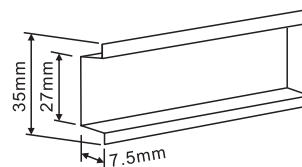
### Model meaning



### Outline dimension



### Installation





## Technical Parameters

| Type                               |            |                 |     | UNL4                                |
|------------------------------------|------------|-----------------|-----|-------------------------------------|
| No of poles                        |            |                 |     | 2,4                                 |
| Type                               |            |                 |     | Eletronic/Electro-Magnetic with LED |
| Rated current                      | In         | A               |     | 25,32,40,63                         |
| Rated residual current             | I $\Delta$ | Ma              |     | 30,100, 300                         |
| Tripping range                     | I $\Delta$ | Ma              |     | 0,5-1 x I $\Delta$ n                |
| Rated frequency                    |            | Hz              |     | 50-60                               |
| Type class                         |            |                 |     | AC, A, S                            |
| Rated voltage                      | Ue         | V               | Ac  | 240                                 |
| Rated insulation voltage           | Ui         | V               |     | 500                                 |
| Rated impulse withstand voltage    | Uimp       | Kv              |     | 4.5                                 |
| Rated short circuit capacity       |            | A               |     | 6000                                |
| Electrical life                    | Ope.       | V               | 230 | 4000                                |
| Mechanical life                    | Ope.       |                 |     | 20000                               |
| Degree of protection               |            |                 |     | IP 20( IP 40)                       |
| Ambient operational temperature    |            | °C              |     | -25/+70                             |
| Storage temperature                |            | °C              |     | -40/+75                             |
| Fixing (en 60715)                  |            |                 |     | 35mm DIN rail                       |
| Connection cross section (min/max) |            | mm <sup>2</sup> |     | 1,5-35                              |