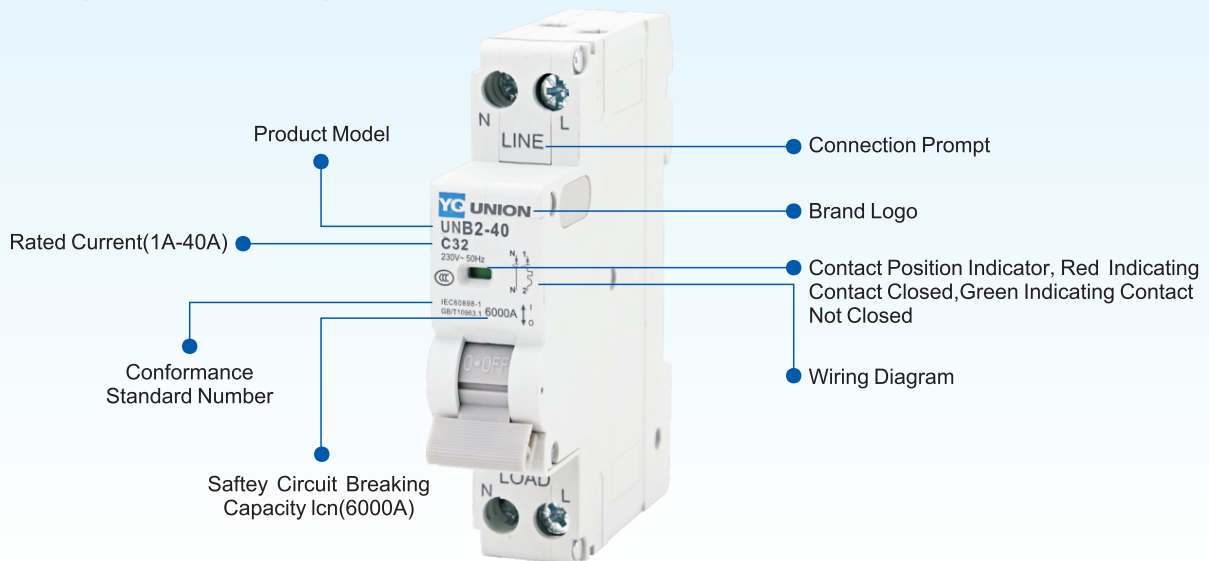


UNION ELECTRICS

Miniature Circuit Breaker

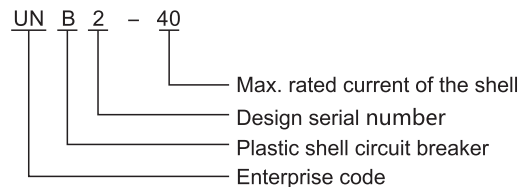
DPN(UNB2-40 6KA)



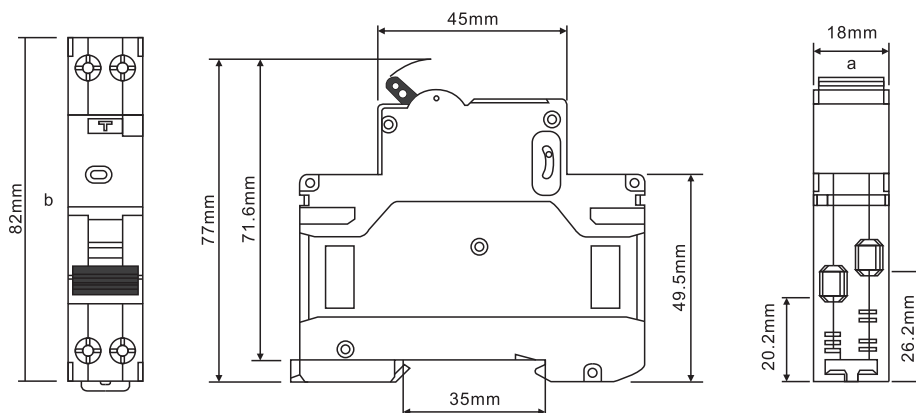
Product advantage

- High frame level 1P+N double breaking point(18mm width, module up to 40A),high breaking capacity(up to 6kA).
- Terminal with error protected terminal blocks,and higher safety with contact position indicating window.
- Current limited contact system,magnetic blow-out type arc extinguishing device,can avoid products and equipment from large short circuit current, and improve the arc extinguishing ability of products, then make sure the enhancement of breaking capacity.
- The shell and fuction keys are all made by PA66 nylon which with high flame retardant,high temperature resistance,impact resistant plastics.
- Innovative appearance,reasonable structure and with multiple patent protection.
- The products with overload,short circuit,leakage protection functions.

Model meaning



Outline dimension



Applications



Distribution box

Technical Parameters

Product model			UNB2-40
Pole number			1P+N
Shelf rated current		A	40
Technical parameters			
Rated working voltage		Ue VAC	230
Rated current		In A	1、2、3、4、6、10、16、20、25、32、40
Rated insulation voltage		Ui V	500
Rated impulse withstand voltage		Uimp kV	4
Breaking capacity operating			6
Breaking capacity force		Icn kA	100%
Curve type		Ics %Icn	B、C
Release type			Thermomagnetic
Service life (O~CO)	Mechanical	Actual average	20000
		Standard value	8500
	Electrical	Actual average	10000
		Standard value	1500
Control and indication			
Auxiliary contact			<input type="checkbox"/>
Alarm contact			<input type="checkbox"/>
Shunt release			<input type="checkbox"/>
Under release			<input type="checkbox"/>
Voltage release			<input type="checkbox"/>
Connection and installation			
Protection grade	All sides		Ip40
	Connection port		Ip20
Handle lock			ON/OFF Position
Connection ability		mm ²	1~10
Ambient temperature		℃	-30~+70
Humidity and heat resistance			Level 2
Altitude		m	≤2000
Relative humidity of air			+20℃, ≤95%; +40℃, ≤50%
Pollution grade			3
Installation environment			Without significant vibration and impact
Installation category			II class
Installation mode			35mm DIN rail
Shape dimensions(mm) W*H*D	a		18
	b		82
	c		71.6
Weight		g	105

■ Standard settings □ Optiona /None