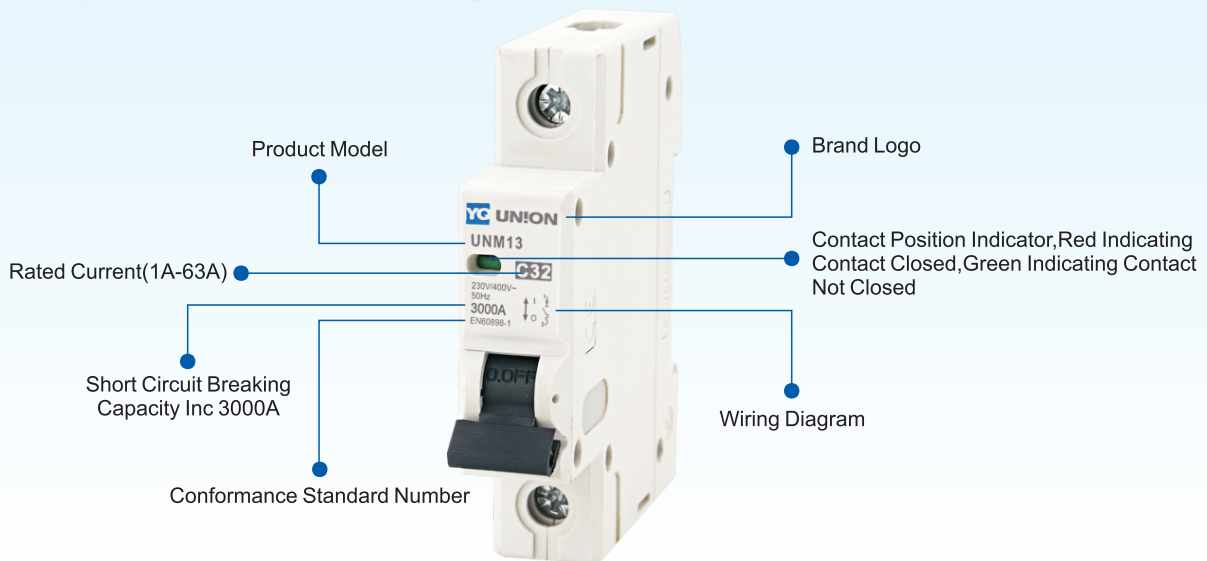


UNION ELECTRICS

Miniature Circuit Breaker

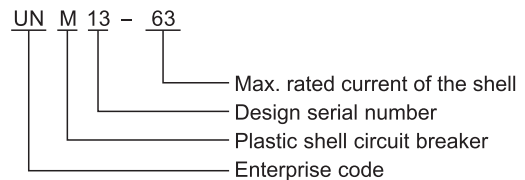
MCB(UNM13-63 3KA/4.5KA)



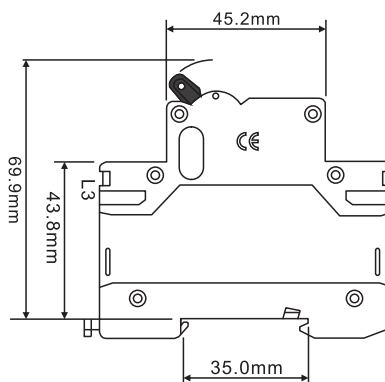
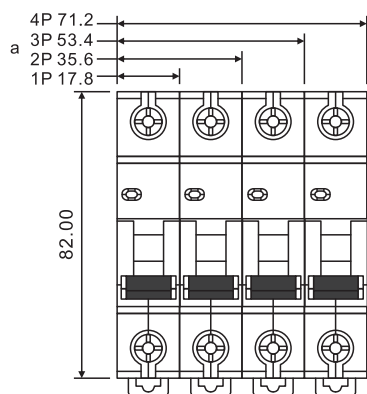
Product advantage

- High frame level 1P+N double breaking point(18mm width, module up to 63A,high breaking capacity (Up to 4.5KA)
- Terminal with error protected terminal blocks,and higher safety with contact position indicating window.
- Current limited contact system,magnetic blow-out type arc extinguishing device,can avoid products and equipment from large short circuit current, and improve the arc extinguishing ability of products, then make sure the enhancement of breaking capacity.
- The shell and funcion keys are all made by PA66 nylon which with high flame retardant,high temperature resistance,impact resistant plastics.
- Innovative appearance,reasonable structure and with multiple patent protection.

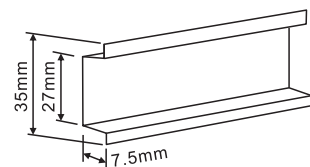
Model meaning



Outline dimension



Installation



Technical Parameters

Product model			UNM13-63			
Pole number			1P	2P	3P	4P
Shelf rated current		A	63			
Technical parameters						
Rated working voltage		Ue VAC	230/400	400	400	400
Rated current		In A	1、2、3、4、6、10、16、20、25、32、40、50、63			
Rated insulation voltage		Ui V	500			
Rated impulse withstand voltage		Uimp kV	4			
Breaking capacity force		Ics %Icn	100%			
Curve type			B、C、D			
Release type			Thermomagnetic			
Service life (O~CO)	Mechanical	Actual average	20000			
		Standard value	8500			
	Electrical	Actual average	10000			
		Standard value	1500			
Control and indication						
Auxiliary contact			<input type="checkbox"/>			
Alarm contact			<input type="checkbox"/>			
Shunt release			<input type="checkbox"/>			
Under release			<input type="checkbox"/>			
Voltage release			<input type="checkbox"/>			
Connection and installation						
Protection grade	All sides		Ip40			
	Connection port		Ip20			
Handle lock			ON/OFF Position			
Connection ability		mm ²	1~35			
Ambient temperature		°C	-30~+70			
Humidity and heat resistance			Level 2			
Altitude		m	≤2000			
Relative humidity of air			+20°C, ≤95%; +40°C, ≤50%			
Pollution grade			3			
Installation environment			Without significant vibration and impact			
Installation category			II class			
Installation mode			35mm DIN rail			
Shape dimensions(mm) W*H*D		a	17.8	36.5	53.4	71.2
		b	69.9	69.9	69.9	69.9
		c	43.8	43.8	43.8	43.8
Weight		g	91	182	273	364

■ Standard settings □ Optiona /None